
vSet™ Select

TWO HYBRIDS NO COMPROMISES.



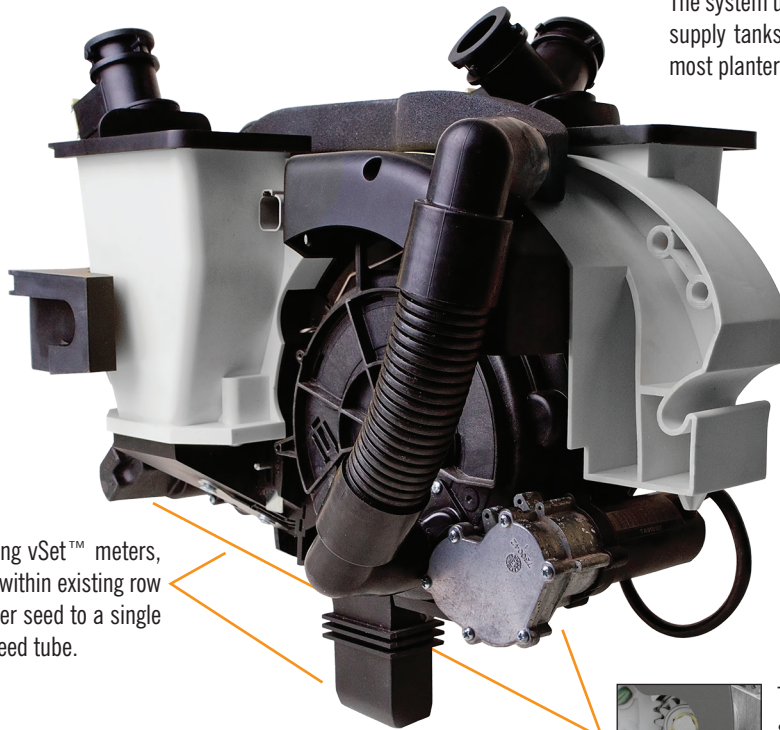
You aim to maximize yield by planting the hybrid that will do the best, on average, across the whole field. But yield environments often change in the same field, calling for different hybrids in different areas. You've had to make compromises, but not anymore.

Precision
PLANTING®

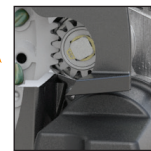
With the radically new vSet™ Select, there are no compromises. You can plant two hybrids in the same row, switching back and forth as environments change, to plant the hybrid that will produce the most in each environment. That maximizes yield.

HOW IT WORKS

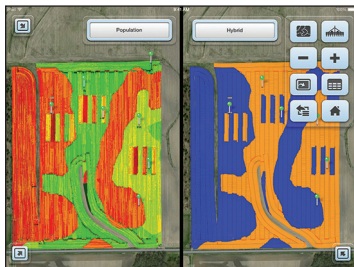
The system uses the dual bulk seed supply tanks that are standard on most planters.



Two opposing vSet™ meters, positioned within existing row units, deliver seed to a single standard seed tube.



The vDrive™ electric drive system instantaneously switches from one hybrid to the other – and changes populations, when appropriate.



Any mapping software can make the two-hybrid prescription shape file that is used by vSet Select, or operators can manually switch from one hybrid to another.

See your Precision Planting dealer for details. Find a dealer at precisionplanting.com/dealerlocator.